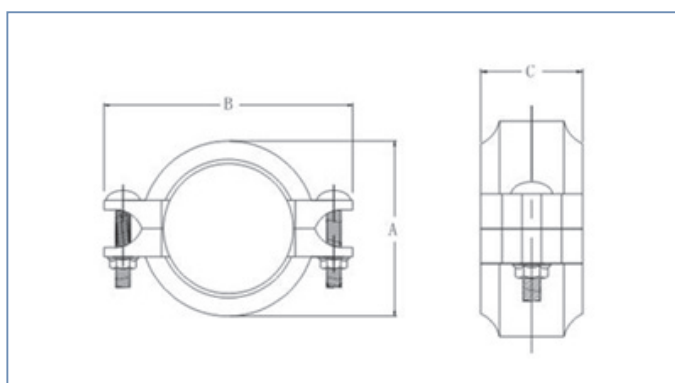


EKO-TRADING CO., LIMITED

Grooved Couplings



75L stainless steel low pressure couplings



The Model 75L is designed for low pressure MF/UF/RO systems. It is made of CF8 (304) or CF8M (316) with 304 or 316 bolts and nuts.

Sizes-Inches/DN:

3/4" to 12" (DN20 to DN300)

Rated working pressure:

350 psi (25 bar) Sch. 40S, cut groove only 75L

MODEL 75L MATERIAL SPECIFICATION

Housings:

Type 304 Stainless steel to ASTM A351 CF8 or A743 Gr. CF8
 Type 316 to ASTM A743 CF8M
 Type 316L to ASTM A743 CF3M
 CE8MN to ASTM A890 Grade 2A
 Austenic 904L (CN2MCuN) to A351
 Duplex 2205 (CD3MN) to ASTM A890 Grade 4A
 Super duplex 2507 (CE3MN) to ASTM A890 Grade 5A

Rubber Gaskets:

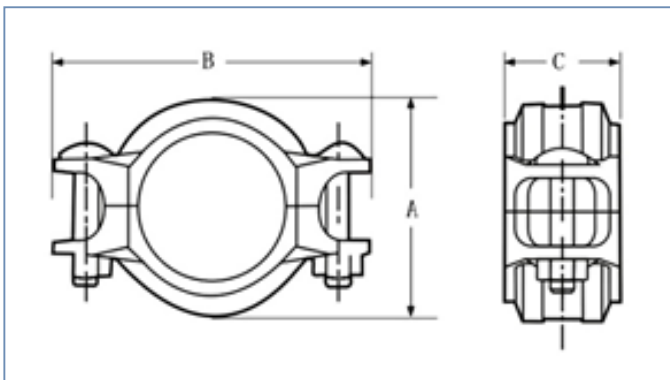
The gasket seals is C-shaped, made of standard gasket EPDM (ethylene propylene diene monomer) for cold water, hot water, rare acid, oil-free air and multiple chemical product (-50...150 °C). It is not suitable for medium like petroleum.

Bolts & Nuts:

Type 304 stainless steel track bolts and nuts to ASTM F-593.
 Type 316 stainless steel track bolts and nuts to ASTM F-593.
 Type 316 stainless steel track bolts ASTM A193 B-8M with silicone bronze heavy duty nuts to ASTM B98 C65100 .

Nominal size mm in	Pipe OD mm in	Rated working pressures psi bar	Pipe end separation mm in	Dimensions			Weight kgs lbs
				B mm in	B mm in	C mm in	
20	26,900	350	0-1,6	47	83	42	0,27
0,75	1,059	24,13	0-0,06	1,85	3,268	1,654	0,59
25	32,000	350	0-1,6	54	89	42	0,31
-	1,260	24,13	0-0,06	2,126	3,504	1,654	0,67
25	33,700	350	0-1,6	54	89	42	0,31
1	1,327	24,13	0-0,06	2,126	3,504	1,654	0,67
32	38,000	350	0-1,6	58	95	42	0,35
-	1,496	24,13	0-0,06	2,283	3,74	1,654	0,77
32	42,400	350	0-1,6	63	100	43	0,37
1,25	1,669	24,13	0-0,06	2,48	3,937	1,693	0,80
40	48,300	350	0-1,6	69	105	44	0,42
1,5	1,900	24,13	0-0,06	2,717	4,134	1,732	0,93
50	57,000	350	0-1,6	76	116	44	0,46
-	2,244	24,13	0-0,06	2,992	4,567	1,732	1,02
50	60,300	350	0-1,6	79	117	44	0,47
2	2,375	24,13	0-0,06	3,11	4,606	1,732	1,03
65	73,000	350	0-1,6	94	133	44	0,55
2,5	2,875	24,13	0-0,06	3,701	5,236	1,732	1,21
65	76,100	350	0-1,6	99	137	44	0,59
-	3,000	24,13	0-0,06	3,896	5,394	1,732	1,29
80	88,900	350	0-1,6	111	151	44	0,73
3	3,500	24,13	0-0,06	4,37	5,945	1,732	1,61
100	108,000	350	0-3,2	131	180	48	1,14
-	4,250	24,13	0-0,13	5,157	7,087	1,89	2,50
100	114,300	350	0-3,2	141	189	48	1,20
4	4,500	24,13	0-0,13	5,551	7,441	1,89	2,63
125	133,000	350	0-3,2	158	206	49	1,33
-	5,250	24,13	0-0,13	6,22	8,11	1,929	2,94
125	139,700	350	0-3,2	166	215	49	1,52
-	5,500	24,13	0-0,13	6,535	8,465	1,929	3,34
125	141,300	350	0-3,2	166	215	49	2,90
5	5,563	24,13	0-0,13	6,535	8,465	1,929	6,38
150	159,000	350	0-3,2	189	239	50	1,83
-	6,259	24,13	0-0,13	7,441	9,409	1,969	4,02
150	168,300	350	0-3,2	197	246	50	1,88
6	6,625	24,13	0-0,13	7,756	9,685	1,969	4,14
200	219,100	350	0-3,2	255	315	60	3,58
8	8,525	24,13	0-0,13	10,039	12,401	2,362	7,87
250	273,000	350	0-3,2	317	386	60	4,80
10	10,748	24,13	0-0,13	12,48	15,197	2,362	10,57
300	323,900	350	0-3,2	408	441	65	6,68
12	12,752	24,13	0-0,13	16,063	17,362	2,559	14,73

76M stainless steel medium pressure couplings



The Model 76M is designed for medium pressure reverse osmosis systems. The Model 76M is supplied standard in CF8 (304) and CF8M (316) with 304 or 316 bolts and nuts.

Sizes-Inches/DN:

3/4" to 8" (DN20 to DN200)

Rated working pressure:

600 psi (42 bar) Sch. 40S, cut groove only

MODEL 75L MATERIAL SPECIFICATION

Housings:

- Type 304 Stainless steel to ASTM A351 CF8 or A743 Gr. CF8
- Type 316 to ASTM A743 CF8M
- Type 316L to ASTM A743 CF3M
- CE8MN to ASTM A890 Grade 2
- Austenitic 904L (CN2MCuN) to A351
- Duplex 2205 (CD3MN) to ASTM A890 Grade 4A
- Super duplex 2507 (CE3MN) to ASTM A890 Grade 5
- Austenitic 254SMO (CK3MCuN) to A743

Rubber Gaskets:

The gasket seals is C-shaped, made of standard gasket EPDM (ethylene propylene diene monomer) for cold water, hot water, rare acid, oil-free air and multiple chemical product (-50...150 °C). It is not suitable for medium like petroleum.

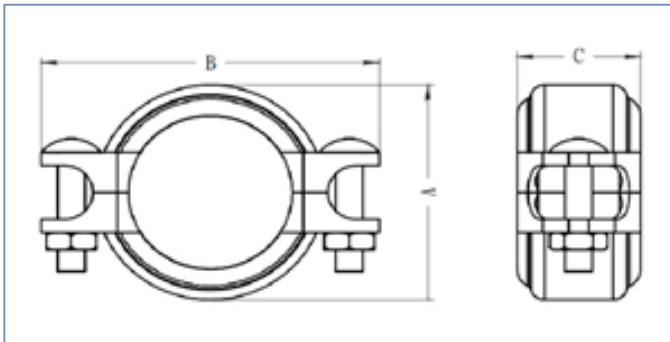
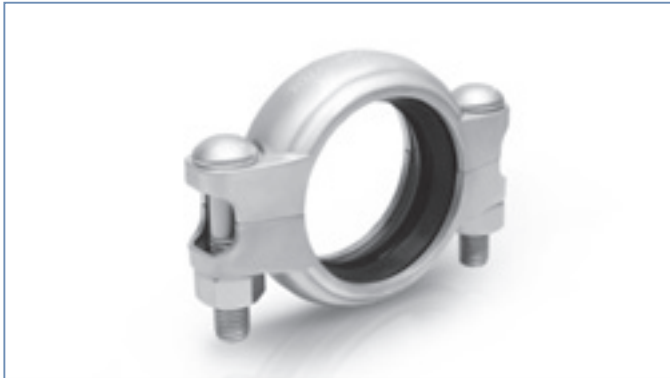
Bolts & Nuts:

- Type 304 stainless steel track bolts and nuts to ASTM F-593.
- Type 316 stainless steel track bolts and nuts to ASTM F-593.
- Type 316 stainless steel track bolts ASTM A193 B-8M with silicone bronze heavy duty nuts to ASTM B98 C65100.

Nominal size mm in	Pipe OD mm in	Rated working pressures psi bar	Pipe end separation mm in	Dimensions			Weight kgs lbs
				B mm in	B mm in	C mm in	
20	26,900	600	0-1,6	48	81	42	0,30
0,75	1,059	41,34	0-0,06	1,89	3,189	1,654	0,65
25	32,000	600	0-1,6	55	89	42	0,31
-	1,260	41,34	0-0,06	2,165	3,504	1,654	0,68
25	33,700	600	0-1,6	55	89	42	0,34
1	1,327	41,34	0-0,06	2,165	3,504	1,654	0,75
32	38,000	600	0-1,6	59	97	42	0,32
-	1,496	41,34	0-0,06	2,323	3,819	1,654	0,70
32	42,400	600	0-1,6	64	99	43	0,44
1,25	1,669	41,34	0-0,06	2,52	3,898	1,693	0,97
40	48,300	600	0-1,6	71	109	44	0,57
1,5	1,900	41,34	0-0,06	2,795	4,291	1,732	1,26
50	57,000	600	0-1,6	80	121	44	0,62
-	2,244	41,34	0-0,06	3,15	4,764	1,732	1,36
50	60,300	600	0-1,6	83	121	44	0,65
2	2,375	41,34	0-0,06	3,268	4,764	1,732	1,42
65	73,000	600	0-1,6	95	130	45	0,80
2,5	2,875	41,34	0-0,06	3,74	5,118	1,772	1,76
65	76,100	600	0-1,6	100	135	45	0,84
-	3,000	41,34	0-0,06	3,937	5,315	1,772	1,84
80	88,900	600	0-1,6	112	155	45	1,05
3	3,500	41,34	0-0,06	4,409	6,102	1,772	2,30
100	108,000	600	0-3,2	135	186	48	1,46
-	4,250	41,34	0-0,13	5,315	7,323	1,89	3,20
100	114,300	600	0-3,2	145	185	48	1,56
4	4,500	41,34	0-0,13	5,709	7,283	1,89	3,43
125	133,000	600	0-3,2	161	201	52	1,67
-	5,250	41,34	0-0,13	6,339	7,913	2,047	3,66
125	139,700	600	0-3,2	170	217	52	1,52
-	5,500	41,34	0-0,13	6,693	8,543	2,047	3,34
125	141,300	600	0-3,2	170	220	52	1,83
5	5,563	41,34	0-0,13	6,693	8,661	2,047	4,03
150	159,000	600	0-3,2	193	244	52	2,16
-	6,259	41,34	0-0,13	7,598	9,606	2,047	4,75
150	168,300	600	0-3,2	202	267	52	2,53
6	6,625	41,34	0-0,13	7,953	10,512	2,047	5,57
200	219,100	600	0-3,2	264	319	60	4,59
8	8,525	41,34	0-0,13	10,394	12,559	2,362	10,09



77C stainless steel heavy duty couplings



The Model 77C is designed for high pressure applications including RO and desalination systems.

The 77C is available in strong and anti-corrosive alloys of 304, 316, 316L Stainless steel, Duplex CD3MN (2205), Super Duplex CE8MN, CE3MN (2507). The 77C features 304 or 316 bolts and silicone bronze heavy nuts to help prevent galling during repetitive use.

Sizes-Inches/DN:

3/4" to 12" (DN20 to DN300)

Rated working pressure:

1200 psi (83 bar) Sch. 40S, cut groove only

MODEL 75L MATERIAL SPECIFICATION

Housings:

Super duplex 2507 (CE3MN) to ASTM A890 Grade5A
 CE8MN to ASTM A890 Grade 2A
 Duplex 2205 (CD3MN) to ASTM A890 Grade4A
 Austenic 254SMO (CK3MCuN) to A743
 Austenic 904L (CN2MCuN) to A351
 Type 316 to ASTM A743 CF8M
 Type 316L to ASTM A743 CF3M

Rubber Gaskets:

The gasket seals is C-shaped, made of standard gasket EPDM (ethylene propylene diene monomer) for cold water, hot water, rare acid, oil-free air and multiple chemical product (-50...150 °C). It is not suitable for medium like petroleum.

Bolts:

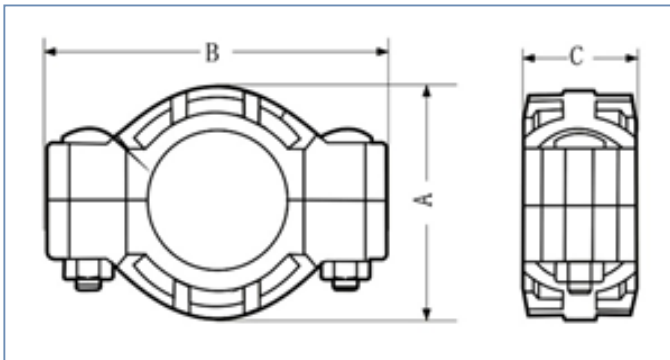
Type 316 stainless steel track bolts ASTM A-193 B-8M.

Nuts:

Type 316 stainless steel nuts ASTM A-193 B-8M.
 Silicone bronze heavy duty nuts to ASTM B98 C65100 for option.

Nominal size mm in	Pipe OD mm in	Rated working pressures psi bar	Pipe end separation mm in	Dimensions			Weight kgs lbs
				B mm in	B mm in	C mm in	
20	26,900	1200	0-1,6	48	78	44	0,58
0,75	1,059	83	0-0,06	1,89	3,071	1,732	1,28
25	32,000	1200	0-1,6	55	87	44	0,60
-	1,260	83	0-0,06	2,165	3,425	1,732	1,32
25	33,700	1200	0-1,6	55	87	44	0,66
1	1,327	83	0-0,06	2,165	3,425	1,732	1,45
32	38,000	1200	0-1,6	63	98	44	0,62
-	1,496	83	0-0,06	2,48	3,858	1,732	1,36
32	42,400	1200	0-1,6	63	98	44	0,76
1,25	1,669	83	0-0,06	2,48	3,858	1,732	1,67
40	48,300	1200	0-1,6	72	102	44	1,16
1,5	1,900	83	0-0,06	2,835	4,016	1,732	2,55
50	57,000	1200	0-1,6	85	121	44	0,81
-	2,244	83	0-0,06	3,366	4,764	1,732	1,78
50	60,300	1200	0-1,6	85	121	44	1,33
2	2,375	83	0-0,06	3,366	4,764	1,732	2,93
65	73,000	1200	0-1,6	98	136	45	1,53
2,5	2,875	83	0-0,06	3,858	5,354	1,772	3,37
65	76,100	1200	0-1,6	102	140	45	1,62
-	3,000	83	0-0,06	4,016	5,512	1,772	3,56
80	88,900	1200	0-1,6	115	164	45	2,00
3	3,500	83	0-0,06	4,528	6,457	1,772	4,40
100	108,000	1200	0-3,2	138	190	52	3,33
-	4,250	83	0-0,13	5,433	7,48	2,047	7,33
100	114,300	1200	0-3,2	150	206	52	3,35
4	4,500	83	0-0,13	5,906	8,11	2,047	7,37
125	133,000	1200	0-3,2	165	220	52	4,19
-	5,250	83	0-0,13	6,496	8,661	2,047	9,22
125	139,700	1200	0-3,2	176	228	52	5,00
-	5,500	83	0-0,13	6,921	8,976	2,047	11,00
125	141,300	1200	0-3,2	177	228	52	5,25
5	5,563	83	0-0,13	6,969	8,976	2,047	11,55
150	159,000	1200	0-3,2	197	260	52	6,48
-	6,259	83	0-0,13	7,756	10,236	2,047	14,26
150	168,300	1200	0-3,2	205	273	52	7,50
6	6,625	83	0-0,13	8,071	10,748	2,047	16,50
200	219,100	1200	0-3,2	281	244	64	11,26
8	8,525	83	0-0,13	11,063	9,606	2,52	24,77
250	273,000	1200	0-3,2	342	400	65	16,20
10	10,748	83	0-0,13	13,465	15,748	2,559	35,64
300	323,900	1200	0-3,2	399	478	65	18,00
12	12,752	83	0-0,13	15,709	18,819	2,559	39,60

77A stainless steel heavy duty couplings



The Model 77A is designed for high pressure applications including RO and desalination systems.

The 77A is available in strong and anti-corrosive alloys of 304, 316, 316L Stainless steel, Duplex CD3MN(2205), Super Duplex CE8MN, CE3MN(2507). The 77A features 304 or 316 bolts and silicone bronze heavy nuts to help prevent galling during repetitive use.

Sizes-Inches/DN and rated working pressure:

3/4" to 8" (DN20 to DN200) 1500 psi (105 bar)
 10" to 12" (DN250 to DN300) 1200 psi (83 bar)
 Cut groove only

MODEL 75L MATERIAL SPECIFICATION

Housings:

Duplex 2205 (CD3MN) to ASTM A890 Grade4A
 Austenitic 254SMO (CK3MCuN) to A743
 Austenitic 904L (CN2MCuN) to A351
 Type 316 to ASTM A743 CF8M
 Type 316L to ASTM A743 CF3M

Rubber Gaskets:

The gasket seals is C-shaped, made of standard gasket EPDM (ethylene propylene diene monomer) for cold water, hot water, rare acid, oil-free air and multiple chemical product (-50...150 °C). It is not suitable for medium like petroleum.

Bolts:

Type 316 stainless steel track bolts ASTM A-193 B-8M.

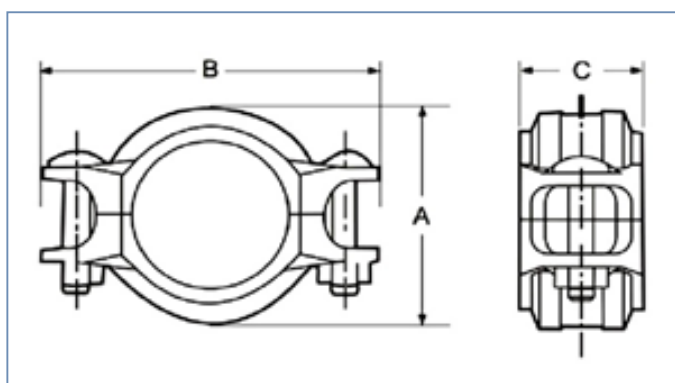
Nuts:

Type 316 stainless steel nuts ASTM A-193 B-8M.
 Silicone bronze heavy duty nuts to ASTM B98 C65100 for option.

Nominal size mm in	Pipe OD mm in	Rated working pressures psi bar	Pipe end separation mm in	Dimensions			Weight kgs lbs
				B mm in	B mm in	C mm in	
20	26,900	1500	0-1,6	53	86	44	0,58
0,75	1,059	105	0-0,06	2,087	3,386	1,732	1,28
25	32,000	1500	0-1,6	60	93	44	0,67
-	1,260	105	0-0,06	2,362	3,661	1,732	1,47
25	33,700	1500	0-1,6	60	93	44	0,67
1	1,327	105	0-0,06	2,362	3,661	1,732	1,47
32	38,000	1500	0-1,6	70	102	44	0,76
-	1,496	105	0-0,06	2,756	4,016	1,732	1,67
32	42,400	1500	0-1,6	72	102	44	0,76
1,25	1,669	105	0-0,06	2,835	4,016	1,732	1,67
40	48,300	1500	0-1,6	79	121	44	1,16
1,5	1,900	105	0-0,06	3,11	4,764	1,732	2,55
50	60,300	1500	0-1,6	91	135	45	1,33
2	2,375	105	0-0,06	3,583	5,315	1,772	2,93
65	73,000	1500	0-1,6	104	145	45	1,53
2,5	2,875	105	0-0,06	4,094	5,709	1,772	3,37
65	76,100	1500	0-1,6	109	152	45	1,62
-	3,000	105	0-0,06	4,291	5,984	1,772	3,56
80	88,900	1500	0-1,6	125	166	45	2,00
3	3,500	105	0-0,06	4,921	6,535	1,772	4,40
100	108,000	1500	0-3,2	154	197	52	3,33
-	4,250	105	0-0,13	6,063	7,756	2,047	7,33
100	114,300	1500	0-3,2	152	207	52	3,35
4	4,500	105	0-0,13	5,984	8,15	2,047	7,37
125	133,000	1500	0-3,2	178	231	52	4,19
-	5,250	105	0-0,13	7,008	9,094	2,047	9,22
125	139,700	1500	0-3,2	192	248	52	5,25
-	5,500	105	0-0,13	7,559	9,764	2,047	11,55
125	141,300	1500	0-3,2	192	248	52	5,25
5	5,563	105	0-0,13	7,559	9,764	2,047	11,55
150	159,000	1500	0-3,2	216	265	52	5,80
-	6,259	105	0-0,13	8,504	10,433	2,047	12,78
150	168,300	1500	0-3,2	227	282	52	6,80
6	6,625	105	0-0,13	8,937	11,102	2,047	14,99
200	219,100	1500	0-3,2	281	244	64	11,40
8	8,525	105	0-0,13	11,063	9,606	2,52	25,14
250	273,000	1200	0-3,2	342	400	65	16,00
10	10,748	83	0-0,13	13,465	15,748	2,559	35,20
300	323,900	1200	0-3,2	399	478	65	19,47
12	12,752	83	0-0,13	15,709	18,819	2,559	42,84



705 ductile iron low pressure couplings



The Model 705 is designed for connection of grooved low pressure pipe systems.

Sizes-Inches/DN and rated working pressure:

3/4" to 4" (DN20 to DN100) 600 psi (42 bar)
 5" to 12" (DN125 to DN300) 300 psi (21 bar)
 For Sch40S cut groove only

MODEL 75L MATERIAL SPECIFICATION

Housings:

Ductile Iron to ASTM A536

Surface Finish:

Antirust paint red or blue
 Hot dip zinc galvanized
 Epoxy power
 Dacromet
 Teflon (PTFE)
 Rilsan PA11

Rubber Gaskets:

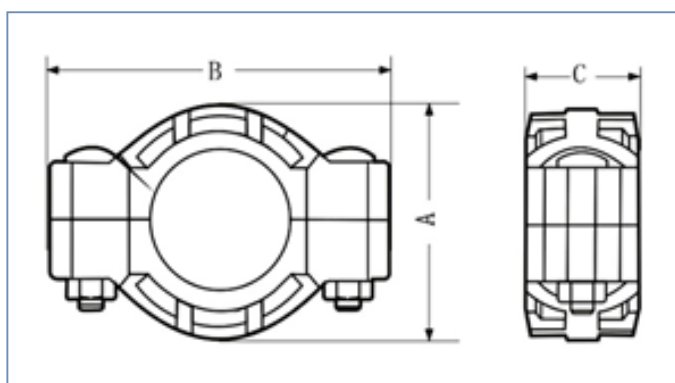
The gasket seals is C-shaped, made of standard gasket EPDM (ethylene propylene diene monomer) for cold water, hot water, rare acid, oil-free air and multiple chemical product (-50...150 °C). It is not suitable for medium like petroleum.

Bolts & Nuts:

Round-head, ellipsoid-neck, carriage bolts, type carbon iron covered with zinc or dacromet.
 Type 316 stainless steel nuts ASTM A-193 B-8M
 Silicone bronze heavy duty nuts to ASTM B98 C65100 for option.

Nominal size mm in	Pipe OD mm in	Rated working pressures psi bar	Pipe end separation mm in	Dimensions			Weight kgs lbs
				B mm in	B mm in	C mm in	
20	26,900	600	0-1,6	53	99	43	0,52
0,75	1,059	41,34	0-0,06	2,087	3,898	1,693	1,14
25	32,000	600	0-1,6	59	105	45	0,58
-	1,260	41,34	0-0,06	2,323	4,134	1,772	1,28
25	33,700	600	0-1,6	55	92	42	0,60
1	1,327	41,34	0-0,06	2,165	3,622	1,654	1,32
32	38,000	600	0-1,6	65	114	44	0,60
-	1,496	41,34	0-0,06	2,559	4,488	1,732	1,32
32	42,400	600	0-1,6	65	104	44	0,60
1,25	1,669	41,34	0-0,06	2,559	4,094	1,732	1,32
40	48,300	600	0-1,6	70	110	44	0,60
1,5	1,900	41,34	0-0,06	2,756	4,331	1,732	1,32
50	57,000	1200	0-1,6	85	130	44	0,78
-	2,244	83	0-0,06	3,346	5,118	1,732	1,72
50	60,300	600	0-1,6	83	124	44	0,80
2	2,375	41,34	0-0,06	3,268	4,882	1,732	1,76
65	73,000	600	0-1,6	96	143	45	0,90
2,5	2,875	41,34	0-0,06	3,78	5,63	1,772	3,41
65	76,100	600	0-1,6	100	145	45	0,90
-	3,000	41,34	0-0,06	3,937	5,709	1,772	1,98
80	88,900	600	0-1,6	115	160	45	1,30
3	3,500	41,34	0-0,06	4,528	6,299	1,772	2,86
100	108,000	600	0-3,2	138	190	50	1,70
-	4,250	41,34	0-0,13	5,433	7,48	1,969	3,74
100	114,300	600	0-3,2	145	198	50	1,90
4	4,500	41,34	0-0,13	5,709	7,795	1,969	4,18
125	133,000	450	0-3,2	162	225	51	2,70
-	5,250	31,01	0-0,13	6,378	8,858	2,008	5,94
125	139,700	450	0-3,2	169	230	52	2,70
-	5,500	31,01	0-0,13	6,654	9,055	2,047	5,94
125	141,300	450	0-3,2	170	232	51	2,60
5	5,563	31,01	0-0,13	6,693	9,134	2,008	5,72
150	159,000	450	0-3,2	190	254	52	3,10
-	6,259	31,01	0-0,13	7,48	10	2,047	6,82
150	168,300	450	0-3,2	200	265	52	3,20
6	6,625	31,01	0-0,13	7,874	10,433	2,047	7,04
200	219,100	450	0-3,2	258	350	60	5,60
8	8,525	31,01	0-0,13	10,157	13,78	2,362	12,32
250	273,000	300	0-3,2	337	406	65	13,20
10	10,748	21	0-0,13	13,268	15,984	2,559	29,04
300	323,900	300	0-3,2	372	460	65	13,90
12	12,752	21	0-0,13	14,646	18,11	2,559	30,58

707 ductile iron high pressure couplings



The Model 707 is designed for connection of grooved high pressure pipe systems.

Sizes-Inches/DN and rated working pressure:

3/4" to 6" (DN20 to DN150) 1000 psi (68,9 bar)
 8" to 12" (DN200 to DN300) 800 psi (55,12 bar)
 Cut groove only

MODEL 75L MATERIAL SPECIFICATION

Housings:

Ductile Iron to ASTM A536

Surface Finish:

Antirust paint red or blue
 Hot dip zinc galvanized
 Epoxy power
 Dacromet
 Teflon (PTFE)
 Rilsan PA11

Rubber Gaskets:

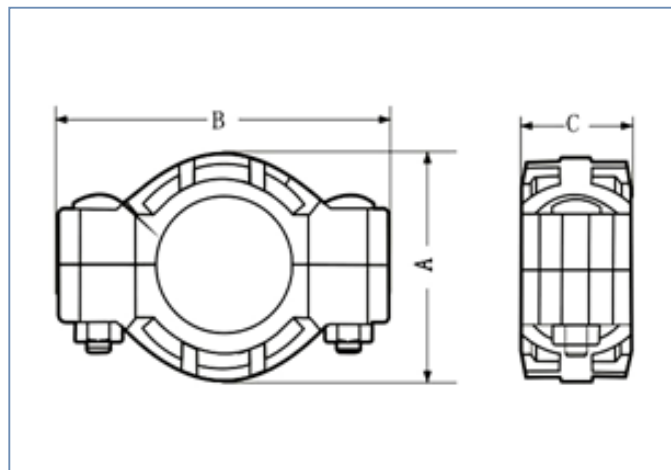
The gasket seals is C-shaped, made of standard gasket EPDM (ethylene propylene diene monomer) for cold water, hot water, rare acid, oil-free air and multiple chemical product (-50...150 °C). It is not suitable for medium like petroleum.

Bolts & Nuts:

Round-head, elliptoid-neck, carriage bolts, type carbon iron covered with zinc or dacromet.

Nominal size mm in	Pipe OD mm in	Rated working pressures psi bar	Pipe end separation mm in	Dimensions			Weight kgs lbs
				B mm in	B mm in	C mm in	
20	26,900	1200	0-1,6	54	102	44	0,50
0,75	1,059	82,68	0-0,06	2,126	4,016	1,732	1,10
25	33,700	1200	0-1,6	60	100	44	0,50
1	1,327	82,68	0-0,06	2,362	4,134	1,732	1,10
32	42,400	1200	0-1,6	69	112	48	0,90
1,25	1,669	82,68	0-0,06	2,717	4,409	1,89	1,98
40	48,300	1200	0-1,6	75	119	48	1,00
1,5	1,900	82,68	0-0,06	2,953	4,685	1,89	2,20
50	60,300	1200	0-1,6	86	132	48	1,20
2	2,375	82,68	0-0,06	3,386	5,197	1,89	2,64
65	73,000	1200	0-1,6	103	145	48	1,40
2,5	2,875	82,68	0-0,06	4,055	5,709	1,89	3,41
65	76,100	1200	0-1,6	106	149	48	1,50
-	3,000	82,68	0-0,06	4,173	5,866	1,89	3,30
80	88,900	1200	0-1,6	118	162	48	1,70
3	3,500	82,68	0-0,06	4,646	6,378	1,89	3,74
100	108,000	1000	0-3,2	144	202	54	5,00
-	4,250	68,9	0-0,13	5,669	7,953	2,126	11,00
100	114,300	1000	0-3,2	152	212	54	3,00
4	4,500	68,9	0-0,13	5,984	8,346	2,126	6,60
125	133,000	1000	0-3,2	173	246	54	4,50
-	5,250	68,9	0-0,13	6,811	9,685	2,126	9,90
125	139,700	1000	0-3,2	178	252	54	4,50
-	5,500	68,9	0-0,13	7,008	9,921	2,126	9,90
125	141,300	1000	0-3,2	180	255	54	4,80
5	5,563	68,9	0-0,13	7,087	10,039	2,126	10,56
150	159,000	1000	0-3,2	199	275	54	6,00
-	6,259	68,9	0-0,13	7,835	10,827	2,126	13,20
150	168,300	1000	0-3,2	211	290	54	5,40
6	6,625	68,9	0-0,13	8,307	11,417	2,126	11,88
200	219,100	800	0-3,2	263	346	64	9,40
8	8,525	55,12	0-0,13	10,354	13,622	2,52	20,68
250	273,000	800	0-3,2	327	422	67	14,10
10	10,748	55,12	0-0,13	12,874	16,614	2,638	31,02
300	323,900	800	0-3,2	380	474	67	17,60
12	12,752	55,12	0-0,13	14,961	18,661	2,638	38,72

75N plastic couplings



The Model 75N is designed on the purpose of solving the corrosion problems happened in low pressure piping systems. Our couplings are manufactured in good quality reinforced nylon injected through high temperature. Therefore our couplings have high strength and toughness, and very good corrosion resistance performance. They have been widely used in ultrafiltration (UF) membrane device in the system of water desalination.

The Model 75N is designed for connection of grooved low pressure pipe systems.

Sizes-Inches/DN:

1" to 8" (DN25 to DN200)

Rated working pressure:

300 psi (21 bar)

MODEL 5N MATERIAL SPECIFICATION

Housings:

Nylon

Rubber Gaskets:

The gasket seals is C-shaped, made of standard gasket EPDM (ethylene propylene diene monomer) for cold water, hot water, rare acid, oil-free air and multiple chemical product (-50...150°C). It is not suitable for medium like petroleum.

Bolts & Nuts:

Stainless steel track bolts and nuts, international standard models of carriage bolts.

Nominal size mm in	Pipe OD mm in	Rated working pressures psi bar	Pipe end separation mm in	Dimensions			Weight kgs lbs
				B mm in	B mm in	C mm in	
25	33,700	300	0-1,6	60	93	44	0,23
1	1,327	20,67	0-0,06	2,362	3,661	1,732	0,51
32	42,400	300	0-1,6	73	102	44	0,26
1,25	1,669	20,67	0-0,06	2,874	4,016	1,732	0,57
40	48,300	300	0-1,6	85	114	45	0,35
1,5	1,900	20,67	0-0,06	3,346	4,488	1,772	0,77
50	60,300	300	0-1,6	98	128	45	0,42
2	2,375	20,67	0-0,06	3,858	5,039	1,772	0,92
65	73,000	300	0-1,6	111	141	46	0,45
2,5	2,875	20,67	0-0,06	4,37	5,551	1,811	1,00
65	76,100	1200	0-1,6	108	148	46	0,50
-	3,000	82,68	0-0,06	4,252	5,827	1,811	1,10
80	88,900	300	0-1,6	128	160	47	0,53
3	3,500	20,67	0-0,06	5,039	6,299	1,85	1,17
100	114,300	300	0-3,2	164	181	52	0,60
4	4,500	20,67	0-0,13	6,457	7,126	2,047	1,32
125	141,300	200	0-3,2	192	248	52	1,15
5	5,563	13,78	0-0,13	7,559	9,764	2,047	2,53
150	168,300	200	0-3,2	209	241	54	1,61
6	6,625	13,78	0-0,13	8,228	9,488	2,126	3,54
200	219,100	150	0-3,2	287	329	62	2,56
8	8,525	10,33	0-0,13	11,299	12,953	2,441	5,64