

.....

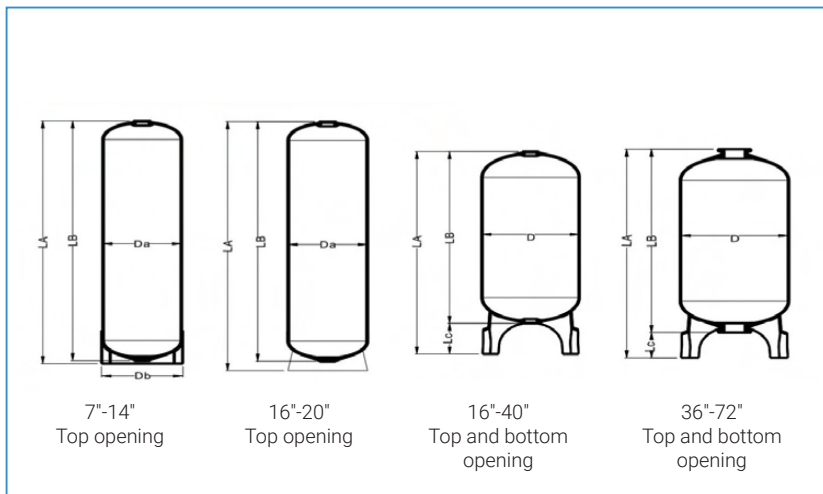
EKO-TRADING CO., LIMITED



# Pressure Tanks

.....

## HY FRP pressure tanks



### CHARACTERS

- Fully rustproof and corrosion resistant
- High strength light weight
- Easy transport and installation

### APPLICATION

Water & waste water treatment use media tank such as media filter and softener

### STRUCTURE & MATERIALS

- Liner material: rotation molding or blowing one-piece seamless PE
- Outer winding: high performance resin with fiber glass three-dimensional winding
- Opening: 2,5" and 4" reinforced plastic thread, 6" alloy flange
- Bass materials: FRP or reinforced PP

### APPLICATION CONDITIONS

- Working pressure: 150 psi (10,5 bar)
- Working temperature: 1...49 °C (34...121 °F)
- Max. vacuum: 127 mm Hg
- Lowest environmental temperature: -27 °C

### DESIGN PARAMETER

- Burst pressure: 42 bar (4 times)
- Fatigue cycle: 100000

### HY-S tank

Model	Vessel size		Volume l	Opening		Dimension, mm				Base
	inch	mm		Top	Bottom	LA	LB	LC	D	
0713/2.5T	7 × 13	181 × 335	6.3	2.5" NPSM	/	335	330	/	181	PP
0717/2.5T	7 × 17	181 × 440	8.5	2.5" NPSM	/	440	435	/	181	PP
0735/2.5T	7 × 35	181 × 895	19.1	2.5" NPSM	/	895	890	/	181	PP
0744/2.5T	7 × 44	181 × 1125	24.3	2.5" NPSM	/	1125	1120	/	181	PP
0813/2.5T	8 × 13	205 × 335	7.4	2.5" NPSM	/	335	330	/	205	PP
0817/2.5T	8 × 17	205 × 440	10.5	2.5" NPSM	/	440	433	/	205	PP
0835/2.5T	8 × 35	205 × 895	23.6	2.5" NPSM	/	895	888	/	205	PP
0844/2.5T	8 × 44	205 × 1125	31.3	2.5" NPSM	/	1125	1118	/	205	PP
0917/2.5T	9 × 17	232 × 440	13.2	2.5" NPSM	/	440	435	/	232	PP
0935/2.5T	9 × 35	232 × 898	31.6	2.5" NPSM	/	898	890	/	232	PP
0942/2.5T	9 × 42	232 × 1074	38.5	2.5" NPSM	/	1074	1067	/	232	PP
0948/2.5T	9 × 48	232 × 1228	44.6	2.5" NPSM	/	1228	1221	/	232	PP
1017/2.5T	10 × 17	257 × 450	16.5	2.5" NPSM	/	450	430	/	257	PP
1035/2.5T	10 × 35	257 × 910	38.3	2.5" NPSM	/	910	890	/	257	PP
1044/2.5T	10 × 44	257 × 1130	49.5	2.5" NPSM	/	1130	1114	/	257	PP
1054/2.5T	10 × 54	257 × 1388	61.9	2.5" NPSM	/	1388	1370	/	257	PP
1248/2.5T	12 × 48	307 × 1220	77.3	2.5" NPSM	/	1220	1214	/	307	PP
1252/2.5T	12 × 52	307 × 1335	84.8	2.5" NPSM	/	1335	1328	/	307	PP
1265/2.5T	12 × 65	307 × 1650	106.3	2.5" NPSM	/	1650	1640	/	307	PP
1344/2.5T	13 × 44	334 × 1135	82.9	2.5" NPSM	/	1135	1127	/	334	PP
1354/2.5T	13 × 54	334 × 1400	103.6	2.5" NPSM	/	1400	1392	/	334	PP
1465/2.5T	14 × 65	360 × 1662	145.6	2.5" NPSM	/	1662	1654	/	360	PP
1465/4T	14 × 65	360 × 1662	145.6	4" 8UN	/	1662	1654	/	360	PP



## HY FRP pressure tanks

### HY tank

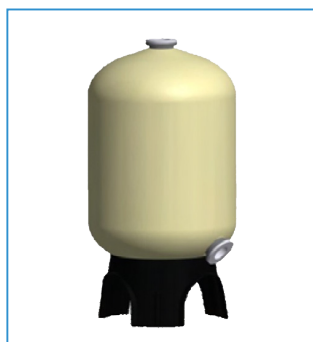
Model	Vessel size		Volume l	Opening		Dimension, mm				Base
	inch	mm		Top	Bottom	LA	LB	LC	D	
1665/2.5T	16 × 65	410 × 1670	187.7	2.5"NPSM	/	1670	1662	/	410	PP
1665/4T	16 × 65	410 × 1670	187.7	4" 8UN	/	1670	1662	/	410	PP
1665/4T4B	16 × 65	410 × 1830	187.7	4" 8UN	4" 8UN	1830	1650	180	410	FRP Tripod
1865/4T	18 × 65	465 × 1675	249	4" 8UN	/	1670	1660	/	465	FRP Round
1865/4T4B	18 × 65	465 × 1825	249	4" 8UN	4" 8UN	1830	1650	180	465	FRP Tripod
2165/4T	21 × 65	550 × 1640	322	4" 8UN	/	1640	1590	/	550	FRP Round
2169/4T	21 × 69	550 × 1750	322	4" 8UN	/	1760	1590	/	550	FRP Tripod
2169/4T4B	21 × 69	550 × 1750	322	4" 8UN	4" 8UN	1760	1575	185	550	FRP Tripod
2176/4T	21 × 76	550 × 1910	326	4" 8UN	/	1910	1600	320	550	FRP Tripod
2176/4T4B	21 × 76	550 × 1910	326	4" 8UN	4" 8UN	1910	1590	320	550	FRP Tripod
2468/4T	24 × 68	615 × 1735	427	4" 8UN	/	1735	1690	/	615	FRP Round
2472/4T	24 × 72	615 × 1850	427	4" 8UN	/	1850	1690	/	615	FRP Tripod
2472/4T4B	24 × 72	615 × 1850	427	4" 8UN	4" 8UN	1850	1680	170	615	FRP Tripod
2485/4T	24 × 85	615 × 2150	471	4" 8UN	/	2150	1830	/	615	FRP Tripod
2485/4T4B	24 × 85	615 × 2150	471	4" 8UN	4" 8UN	2150	1830	320	615	FRP Tripod
3068/4T	30 × 68	780 × 1730	690	4" 8UN	/	1730	1690	/	780	FRP Round
3072/4T	30 × 72	780 × 1850	690	4" 8UN	/	1850	1690	/	780	FRP Tripod
3072/4T4B	30 × 72	780 × 1850	690	4" 8UN	4" 8UN	1850	1680	175	780	FRP Tripod
3085/4T	30 × 85	780 × 2150	758	4" 8UN	/	2150	1830	/	780	FRP Tripod
3085/4T4B	30 × 85	780 × 2150	758	4" 8UN	4" 8UN	2150	1830	320	780	FRP Tripod
3087/6T6B	30 × 87	780 × 2200	758	6" flange	6" flange	2200	1935	265	780	FRP Tripod
3672/4T4B	36 × 72	918 × 1850	850	4" 8UN	4" 8UN	1850	1610	240	918	FRP Tripod
3685/4T4B	36 × 85	918 × 2150	1023	4" 8UN	4" 8UN	2150	1830	320	918	FRP Tripod
3689/6T6B	36 × 89	918 × 2260	1023	6" flange	6" flange	2260	1940	320	918	FRP Tripod
3694/6T6B	36 × 94	918 × 2400	1205	6" flange	6" flange	2400	2140	260	918	FRP Tripod
4072/4T4B	40 × 72	1020 × 1850	1046	6" flange	6" flange	1850	1605	245	1020	FRP Tripod
4094/6T6B	40 × 94	1020 × 2400	1332	6" flange	6" flange	2400	2155	225	1020	FRP Tripod
4272/6T6B	42 × 72	1088 × 1850	1100	6" flange	6" flange	1850	1615	235	1088	FRP Tripod
4289/6T6B	42 × 89	1088 × 2270	1389	6" flange	6" flange	2270	1950	320	1088	FRP Tripod
4872/6T6B	48 × 72	1218 × 1850	1308	6" flange	6" flange	1850	1565	285	1218	FRP Tripod
4889/6T6B	48 × 89	1218 × 2270	1743	6" flange	6" flange	2270	1950	320	1218	FRP Tripod
4894/6T6B	48 × 94	1218 × 2400	1909	6" flange	6" flange	2400	2110	290	1218	FRP Tripod
48110/6T6B	48 × 110	1218 × 2800	2360	6" flange	6" flange	2800	2510	290	1218	FRP Tripod
6094/6T6B	60 × 94	1530 × 2400	2688	6" flange	6" flange	2400	2110	290	1530	FRP Tripod
60110/6T6B	60 × 110	1530 × 2800	3392	6" flange	6" flange	2800	2510	290	1530	FRP Tripod
6383/6T6B	63 × 83	1620 × 2100	2580	6" flange	6" flange	2100	1780	320	1620	FRP Tripod
6394/6T6B	63 × 94	1620 × 2400	3150	6" flange	6" flange	2400	2080	320	1620	FRP Tripod
7294/6T6B	72 × 94	1836 × 2400	3561	6" flange	6" flange	2400	2045	355	1836	FRP Tripod

## HY FRP pressure tanks

### HY-H tank

Model	Vessel size		Volume l	Opening		Dimension, mm				Base
	inch	mm		Top	Bottom	LA	LB	LC	D	
H2162/4T-R	21 × 62	550 × 1650	326	4" 8UN	/	1650	1600	/	550	FRP Round
H2162/4T	21 × 62	550 × 1910	326	4" 8UN	/	1910	1600	/	550	FRP Tripod
H2162/4T4B	21 × 62	550 × 1910	326	4" 8UN	4" 8UN	1910	1590	320	550	FRP Tripod
H2472/4T-R	24 × 72	615 × 1890	471	4" 8UN	/	1890	1839	/	615	FRP Round
H2472/4T	24 × 72	615 × 2150	471	4" 8UN	/	2150	1839	/	615	FRP Tripod
H2472/4T4B	24 × 72	615 × 2150	471	4" 8UN	4" 8UN	2150	1830	320	615	FRP Tripod
H3072/4T-R	30 × 72	780 × 1860	758	4" 8UN	/	1860	1839	/	780	FRP Round
H3072/4T	30 × 72	780 × 2150	758	4" 8UN	/	2150	1830	/	780	FRP Tripod
H3072/4T4B	30 × 72	780 × 2150	758	4" 8UN	4" 8UN	2150	1830	320	780	FRP Tripod
H3672/4T4B	36 × 72	918 × 2150	1023	4" 8UN	4" 8UN	2150	1830	320	918	FRP Tripod
H3672/6T6B	36 × 72	918 × 2260	1023	6" flange	6" flange	2260	1940	320	918	FRP Tripod
H4272/6T6B	42 × 72	1088 × 2270	1389	6" flange	6" flange	2270	1950	320	1088	FRP Tripod
H4872/6T6B	48 × 72	1218 × 2270	1743	6" flange	6" flange	2270	1950	320	1218	FRP Tripod
H6370/6T6B	63 × 70	1620 × 1780	2580	6" flange	6" flange	2100	1780	320	1620	FRP Tripod
H6383/6T6B	63 × 83	1620 × 2080	3150	6" flange	6" flange	2400	2080	320	1620	FRP Tripod

### HY-D tank



One-piece PE liner tank with discharge port.

It is easier to discharge filling compared with normal PE liner tank. Compared with tank with hand layup molding discharge port, it is more stable in quality and better in sanitary condition.

Model	Vessel size		Volume l	Opening			Dimension, mm				Base
	inch	mm		Top	Bottom	Discharge	LA	LB	LC	D	
4272/6T6B4D	42 × 72	1088 × 1850	1100	6" flange	6" flange	4" flange	1850	1615	235	1088	FRP Tripod
4289/6T6B4D	42 × 89	1088 × 2270	1389	6" flange	6" flange	4" flange	2270	1950	320	1088	FRP Tripod
4872/6T6B4D	48 × 72	1218 × 1850	1308	6" flange	6" flange	4" flange	1850	1565	285	1218	FRP Tripod
4889/6T6B4D	48 × 89	1218 × 2270	1743	6" flange	6" flange	4" flange	2270	1950	320	1218	FRP Tripod
4894/6T6B4D	48 × 94	1218 × 2400	1909	6" flange	6" flange	4" flange	2400	2110	290	1218	FRP Tripod
48110/6T6B4D	48 × 110	1218 × 2800	2360	6" flange	6" flange	4" flange	2800	2510	290	1218	FRP Tripod
6094/6T6B4D	60 × 94	1530 × 2400	2688	6" flange	6" flange	4" flange	2400	2110	290	1530	FRP Tripod
60110/6T6B4D	60 × 110	1530 × 2800	3392	6" flange	6" flange	4" flange	2800	2510	290	1530	FRP Tripod
6383/6T6B4D	63 × 83	1620 × 2100	2580	6" flange	6" flange	4" flange	2100	1780	320	1620	FRP Tripod
6394/6T6B4D	63 × 94	1620 × 2400	3150	6" flange	6" flange	4" flange	2400	2080	320	1620	FRP Tripod
7294/6T6B6D	72 × 94	1836 × 2400	3561	6" flange	6" flange	6" flange	2400	2045	355	1836	FRP Tripod
H4272/6T6B4D	42 × 72	1088 × 2270	1389	6" flange	6" flange	4" flange	2270	1950	320	1088	FRP Tripod
H4872/6T6B4D	48 × 72	1218 × 2270	1743	6" flange	6" flange	4" flange	2270	1950	320	1218	FRP Tripod
H6370/6T6B4D	63 × 70	1620 × 1780	2580	6" flange	6" flange	4" flange	2100	1780	320	1620	FRP Tripod
H6382/6T6B4D	63 × 82	1620 × 2080	3150	6" flange	6" flange	4" flange	2400	2080	320	1620	FRP Tripod